



# Backing Flanges

Introduction .....	2-1
ANSI - Steel Backing Flange .....	2-2
ANSI - Steel Backing Flange With Pipe Support .....	2-3
DIN - Steel Backing Flange .....	2-4
DIN - Steel Backing Flange With Pipe Support .....	2-5
Thermoplastic Coated Steel Backing Flange - Cross Reference .....	2-6
Thermoplastic Coated Steel Backing Flange With Pipe Support - Cross Reference .....	2-6
Galvanized Steel Backing Flange - Cross Reference .....	2-7
Galvanized Steel Backing Flange With Pipe Support - Cross Reference .....	2-7
Primered Steel Backing Flange - Cross Reference .....	2-8
Primered Steel Backing Flange With Pipe Support - Cross Reference .....	2-8
Stainless Steel Backing Flange - Cross Reference .....	2-9
Stainless Steel Backing Flange With Pipe Support - Cross Reference .....	2-9



*We didn't set out to design the best **UltraPure**  
Water sealing system . . .*

*. . .but we did.*

## **KC Multi-Ring AC Backing Flanges**

A line of steel backing flanges engineered using our patented design. The backing flanges are an integral part of the KC Sealing System of gaskets, backing flanges, and SmartBox™ Installation Tool.

KC Multi-Ring Products, Inc. gives the UPW user the most comprehensive and best-designed system for sealing and installing critical flanged joints. The KC Multi-Ring® backing flange directs the clamping force toward the pipe I.D.

Comparative tests on 225mm/9" piping run at our state-of-the-art sealing test facility indicate that after bolt-up, conventional backing flanges deflect and single-point load the outside edge of the pipe flange, creating its seal on only approximately the last 1/4" of the flange face.

With conventional backing flanges, the clamping force is approximately 2" outside of the pipe I.D. This in turn allows the flange face to deflect at pressures greater than 105 psig (lower than most users' initial hydro test) which allows hydro test medium and contaminants to be trapped between the flange face and the gasket surface. This is an ideal breeding ground for bacteria after the hydro test and flushing sequence. These contaminants may be introduced into the system to contaminate the end product, or plug down-stream filters, whenever the pressure at any joint is raised above 105 psig by water "hammering" when valves open and close during normal system operation.

Conventional backing flanges have been known to distort the flange adapter, resulting in a "cupped" thermal set, particularly when installed with elastomeric gaskets. The KC Multi-Ring® backing flange design, which directs the clamping force toward the pipe I.D, eliminates this flange distortion and will, over time, return a "cupped" flange adapter to its original flat state.

Our tests further indicate that when the PTFE over EPDM gasket is used with conventional backing flanges, the clamping force is directed outside of the PTFE cover, which may allow the medium to contact the EPDM substrate. On the other hand, the KC Multi-Ring® backing flange is loaded at a point at or near equilibrium. This means that equal, or near equal, clamping force is distributed from the I.D. to the O.D. All the while, the point of contact remains at a given point during tightening

of the flange bolts. Independent Finite Element Analysis results show better loading and less flange stress than conventional backing rings, and the KC Multi-Ring® gasket is stressed equally and maintains a seal at the I.D. of the pipe.

Properly installed, there should be little or no bacteria breeding ground with the KC Multi-Ring® UltraPure gasket installed with the KC Multi-Ring® AC backing flange. Unlike conventional backing flanges, the KC Multi-Ring® backing flange provides a positive seal before, during, and after hydro test and flushing, and, most importantly, during system operation.

The KC Multi-Ring® backing flange will make any gasket seal better than standard backing flanges. Best results are obtained when our flange is combined with the equal gasket compression characteristics of our KC Multi-Ring® UltraPure Gasket.

### **Competitive Advantages:**

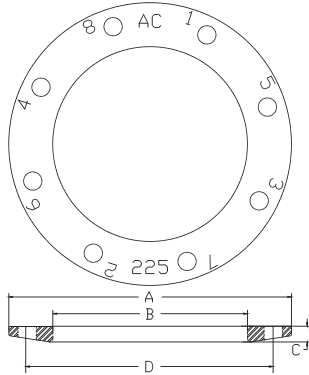
- Clamping force is directed closer to the pipe I.D. than with standard backing flanges.
- Manufacturer recommended bolt-up sequence is stamped on the backing flange. Preferred "star" pattern provided with each flange.
- AC backing flanges improve the performance of any gasket.
- Optimal results are achieved when used with KC Multi-Ring®'s UltraPure Gasket and SmartBox™ Installation Tool.
- Available in "D" - style for hanging pipe or attaching to skid frames.
- Available in the following:
  - thermoplastic coated steel
  - galvanized steel
  - primered steel
  - stainless steel.



## ANSI - Steel Backing Flange

For use with non-metallic Metric piping (PVDF, polypropylene, etc.) IR Butt-Weld and Socket Fusion Type Flange Adapter.

Bolt holes drilled in accordance with ANSI B16.5 class 150 pattern.



Pipe Size	mm	Part #	A inch	B inch	C inch	D inch	Bolt Holes	
							Number	Dia.
1/2	20	ACB.F02.0zz	3.500	1.172	0.485	2.375	4	5/8
3/4	25	ACB.F02.5zz	3.875	1.409	0.485	2.750	4	5/8
1	32	ACB.F03.2zz	4.250	1.724	0.485	3.125	4	5/8
1 1/4	40	ACB.F04.0zz	4.625	2.078	0.485	3.500	4	5/8
1 1/2	50	ACB.F05.0zz	5.000	2.511	0.600	3.875	4	5/8
2	63	ACB.F06.3zz	6.000	3.141	0.625	4.750	4	3/4
2 1/2	75	ACB.F07.5zz	7.000	3.692	0.625	5.500	4	3/4
3	90	ACB.F09.0zz	7.500	4.401	0.625	6.000	4	3/4
4	110	ACB.F11.0zz	9.000	5.306	0.700	7.500	8	3/4
5	125	ACB.F12.5zz	9.000	5.623	0.700	7.500	8	3/4
5 1/2	140	ACB.F14.0zz	10.000	6.220	0.750	8.500	8	7/8
6	160	ACB.F16.0zz	11.000	7.120	0.750	9.500	8	7/8
8	200	ACB.F20.0zz	13.500	9.370	0.850	11.750	8	7/8
9	225	ACB.F22.5zz	13.500	9.490	0.850	11.750	8	7/8
10	250	ACB.F25.0zz	16.000	11.250	0.875	14.250	12	1
12	315	ACB.F31.5zz	19.000	13.250	1.000	17.000	12	1

**zz** - indicates the Backing Flange Construction:

**CS** - Thermoplastic coated Steel

**SS** - Stainless Steel

**GS** - Galvanized Steel

**PS** - Primered Steel

**NOTE: BEVELED SIDE CONTACTS FLANGE ADAPTER AND NUTS, BOLTS AND WASHERS ARE INSTALLED AGAINST THE FLAT SIDE.**

**Our backing flanges are covered under US Patent #5,716,083 and Others Pending.**

### SAMPLE SPECIFICATION

Patented KC Multi-Ring® thermoplastic-coated AC backing rings, KC Multi-Ring Products, Inc., sole source.  
ANSI Class 150 bolt pattern. Install with bevel facing flange adapter. Also available in stainless steel, galvanized and red oxide primered.

**Contact KC Multi-Ring Products, Inc. for sizes and materials not listed.**

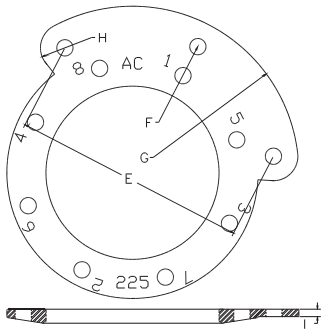


**ANSI - Steel Backing Flange with Pipe Support**

For use with non-metallic Metric piping (PVDF, polypropylene, etc.) IR Butt-Weld and Socket Fusion Type Flange Adapter.

Bolt holes drilled in accordance with ANSI B16.5 class 150 pattern.

(See Steel Backing Flange for bolt pattern information)



Pipe Size	mm	Part #	E inch	F inch	G inch	H inch	I inch	
1/2	20	ACD.F02.0zz	2.969	2.359	3.359	1.000	0.320	
3/4	25	ACD.F02.5zz	3.344	2.547	3.547	1.000	0.320	
1	32	ACD.F03.2zz	3.719	2.734	3.734	1.000	0.320	
1 1/4	40	ACD.F04.0zz	4.094	2.922	3.922	1.000	0.320	
1 1/2	50	ACD.F05.0zz	4.469	3.109	4.109	1.000	0.450	
2	63	ACD.F06.3zz	5.625	3.813	4.938	1.125	0.450	
2 1/2	75	ACD.F07.5zz	6.375	4.313	5.438	1.125	0.450	
3	90	ACD.F09.0zz	6.875	4.563	5.688	1.125	0.450	
4	110	ACD.F11.0zz	8.375	5.313	6.438	1.125	0.450	
5	125	ACD.F12.5zz	8.375	5.313	6.438	1.125	0.450	
5 1/2	140	ACD.F14.0zz	Call KC Multi-Ring®					
6	160	ACD.F16.0zz	10.375	6.375	7.688	1.313	0.465	
8	200	ACD.F20.0zz	12.625	7.625	8.938	1.313	0.560	
9	225	ACD.F22.5zz	12.625	7.625	8.938	1.313	0.560	
10	250	ACD.F25.0zz	15.375	9.063	10.563	1.500	0.560	

**zz** - indicates the Backing Flange Construction:

- CS** - Thermoplastic coated Steel
- SS** - Stainless Steel
- GS** - Galvanized Steel
- PS** - Primered Steel

**NOTE: BEVELED SIDE CONTACTS FLANGE ADAPTER AND NUTS, BOLTS AND WASHERS ARE INSTALLED AGAINST THE FLAT SIDE.**

**Our backing flanges are covered under US Patent #5,716,083 and Others Pending.**

**SAMPLE SPECIFICATION**

Patented KC Multi-Ring® thermoplastic-coated AC “D” backing rings, KC Multi-Ring Products, Inc., sole source. ANSI Class 150 bolt pattern. Install with bevel facing flange adapter. Also available in stainless steel, galvanized and red oxide primered.

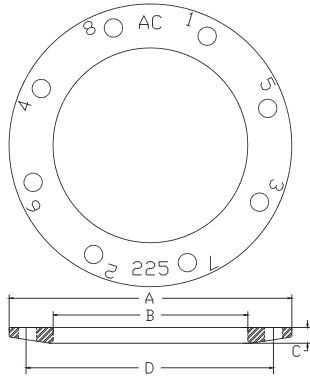
**Contact KC Multi-Ring Products, Inc. for sizes and materials not listed.**



## DIN - Steel Backing Flange

For use with non-metallic Metric piping (PVDF, polypropylene, etc.) IR Butt-Weld and Socket Fusion Type Flange Adapter.

Bolt holes drilled in accordance with DIN PN 10 and 16 bolt pattern.



PN	Pipe Size mm	Part #	A mm	B mm	C mm	D mm	Bolt Holes	
							Number	Dia.
16	20	ACx.F02.0zz	95	29	12	65	4	14
16	25	ACx.F02.5zz	105	34	12	75	4	14
16	32	ACx.F03.2zz	115	42	12	85	4	14
16	40	ACx.F04.0zz	140	51	12	100	4	18
16	50	ACx.F05.0zz	150	62	15	110	4	18
16	63	ACx.F06.3zz	165	78	16	125	4	18
16	75	ACx.F07.5zz	185	92	16	145	4	18
16	90	ACx.F09.0zz	200	110	16	160	8	18
16	110	ACx.F11.0zz	220	130	18	180	8	18
10	125	ACx.F12.5zz	220	135	18	180	8	18
10	140	ACx.F14.0zz	250	158	19	210	8	18
16	160	ACx.F16.0zz	285	180	19	240	8	22
10	160	ACx.F16.0zz	285	180	19	240	8	22
10	200	ACx.F20.0zz	340	236	21	295	8	22
16	225	ACx.F22.5zz	340	240	21	295	12	22
10	225	ACx.F22.5zz	340	240	21	295	8	22
10	250	ACx.F25.0zz	395	286	22	350	12	22
10	280	ACx.F28.0zz	409	294	22	350	12	22
10	315	ACx.F31.5zz	445	337	25	400	12	22
10	355	ACx.F35.5zz	515	376	25	460	16	22

**x** - indicates the Backing Flange Style:

- G** - DIN PN 16 Standard
- H** - DIN PN 10 Standard

**zz** - indicates the Backing Flange Construction:

- CS** - Thermoplastic coated Steel
- SS** - Stainless Steel
- GS** - Galvanized Steel
- PS** - Primered Steel

**NOTE: BEVELED SIDE CONTACTS FLANGE ADAPTER AND NUTS, BOLTS AND WASHERS ARE INSTALLED AGAINST THE FLAT SIDE.**

**Our backing flanges are covered under US Patent #5,716,083 and Others Pending.**

**SAMPLE SPECIFICATION**

Patented KC Multi-Ring® thermoplastic-coated AC backing rings, KC Multi-Ring Products, Inc., sole source. DIN PN 10 and 16 bolt pattern. Install with bevel facing flange adapter. Also available in stainless steel, galvanized and red oxide primered.

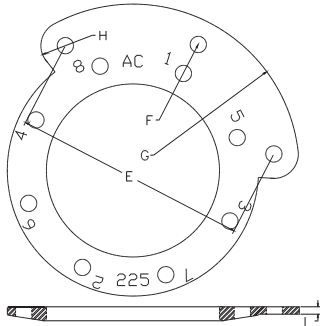
**Contact KC Multi-Ring Products, Inc. for sizes and materials not listed.**



**DIN - Steel Backing Flange with Pipe Support**

For use with non-metallic Metric piping (PVDF, polypropylene, etc.) IR Butt-Weld and Socket Fusion Type Flange Adapter.

Bolt holes drilled in accordance with DIN PN 10 and 16 bolt pattern.  
(See steel backing flange for bolt pattern information)



PN	Pipe Size mm	Part #	E mm	F mm	G mm	H mm	I mm
16	20	ACx.F02.0zz	75	60	85	25	8
16	25	ACx.F02.5zz	85	65	90	25	8
16	32	ACx.F03.2zz	94	69	95	25	8
16	40	ACx.F04.0zz	104	74	100	25	8
16	50	ACx.F05.0zz	114	79	104	25	11
16	63	ACx.F06.3zz	143	97	125	29	11
16	75	ACx.F07.5zz	162	110	138	29	11
16	90	ACx.F09.0zz	172	116	144	29	11
16	110	ACx.F11.0zz	213	135	164	29	11
10	125	ACx.F12.5zz	213	135	164	29	11
10	140	ACx.F14.0zz		Call KC Multi-Ring®			
10	160	ACx.F16.0zz	264	162	195	33	12
10	200	ACx.F20.0zz	321	194	227	33	14
10	225	ACx.F22.5zz	321	194	227	33	14
10	250	ACx.F25.0zz	391	230	268	38	14

- x** - indicates the Backing Flange Style:
  - E** - DIN PN 16 Standard; for new construction
  - F** - DIN PN 10 Standard; for new construction
- zz** - indicates the Backing Flange Construction:
  - CS** - Thermoplastic coated Steel
  - SS** - Stainless Steel
  - GS** - Galvanized Steel
  - PS** - Primered Steel

**NOTE: LETTERS FACE THE FLANGE ADAPTER AND NUTS, BOLTS AND WASHERS ARE INSTALLED AGAINST THE FLAT SIDE.**

**Our backing flanges are covered under US Patent #5,716,083 and Others Pending.**

**SAMPLE SPECIFICATION**

Patented KC Multi-Ring® thermoplastic-coated AC “D” backing rings, KC Multi-Ring Products, Inc., sole source. DIN PN 10 and 16 bolt pattern. Install with bevel facing flange adapter. Also available in stainless steel, galvanized and red oxide primered.

**Contact KC Multi-Ring Products, Inc. for sizes and materials not listed.**



### Thermoplastic Coated Steel Backing Flange - Cross Reference

For use with non-metallic Metric piping (PVDF, polypropylene, etc.) IR Butt-Weld and Socket Fusion Type Flange Adapter.

Bolt holes drilled in accordance with ANSI B16.5 class 150 pattern.

Pipe Size	mm	KC Multi-Ring® Part #	George Fischer Part #	Asahi/America Part #
1/2	20	ACB.F02.0CS	155.701.806	5046005
3/4	25	ACB.F02.5CS	155.701.807	5460007
1	32	ACB.F03.2CS	155.701.808	5046010
1 1/4	40	ACB.F04.0CS	155.701.809	5046012
1 1/2	50	ACB.F05.0CS	155.701.810	5046015
2	63	ACB.F06.3CS	155.701.811	5046020
2 1/2	75	ACB.F07.5CS	155.701.812	5046025
3	90	ACB.F09.0CS	155.701.813	5046030
4	110	ACB.F11.0CS	155.703.814	5046040
5	125	ACB.F12.5CS	unknown	unknown
5 1/2	140	ACB.F14.0CS	unknown	unknown
6	160	ACB.F16.0CS	155.701.917	5046060
8	200	ACB.F20.0CS	155.701.919	5046080
9	225	ACB.F22.5CS	155.701.920	unknown
10	250	ACB.F25.0CS	unknown	5046100
12	315	ACB.F31.5CS	unknown	5046120

2

### Thermoplastic Coated Steel Backing Flange with Pipe Support - Cross Reference

For use with non-metallic Metric piping (PVDF, polypropylene, etc.) IR Butt-Weld and Socket Fusion Type Flange Adapter.

Bolt holes drilled in accordance with ANSI B16.5 class 150 pattern.

Pipe Size	mm	KC Multi-Ring® Part #	George Fischer Part #	Asahi/America Part #
1/2	20	ACD.F02.0CS	unknown	unknown
3/4	25	ACD.F02.5CS	unknown	unknown
1	32	ACD.F03.2CS	unknown	unknown
1 1/4	40	ACD.F04.0CS	unknown	unknown
1 1/2	50	ACD.F05.0CS	unknown	unknown
2	63	ACD.F06.3CS	unknown	unknown
2 1/2	75	ACD.F07.5CS	unknown	unknown
3	90	ACD.F09.0CS	735.991.313	unknown
4	110	ACD.F11.0CS	735.991.314	unknown
5	125	ACD.F12.5CS	unknown	unknown
5 1/2	140	ACD.F14.0CS	unknown	unknown
6	160	ACD.F16.0CS	735.991.317	unknown
8	200	ACD.F20.0CS	735.991.320	unknown
9	225	ACD.F22.5CS	unknown	unknown
10	250	ACD.F25.0CS	unknown	unknown

**NOTE:** Asahi/America part numbers are for glass filled polypro flange rings.

**Our backing flanges are covered under US Patent #5,716,083 and Others Pending.**

SAMPLE SPECIFICATION
Patented KC Multi-Ring® thermoplastic-coated AC backing rings, KC Multi-Ring Products, Inc., sole source. ANSI class 150 bolt pattern. Install with bevel facing flange adapter. Also available in stainless steel, galvanized and red oxide primed.

**Contact KC Multi-Ring Products, Inc. for sizes and materials not listed.**



### Galvanized Steel Backing Flange - Cross Reference

For use with non-metallic Metric piping (PVDF, polypropylene, etc.) IR Butt-Weld and Socket Fusion Type Flange Adapter.

Bolt holes drilled in accordance with ANSI B16.5 class 150 pattern.

Pipe Size	mm	KC Multi-Ring® Part #	George Fischer Part #	Asahi/America Part #
1/2	20	ACB.F02.0GS	724.701.806	unknown
3/4	25	ACB.F02.5GS	724.701.807	unknown
1	32	ACB.F03.2GS	724.701.808	unknown
1 1/4	40	ACB.F04.0GS	724.701.809	unknown
1 1/2	50	ACB.F05.0GS	724.701.810	unknown
2	63	ACB.F06.3GS	724.701.811	unknown
2 1/2	75	ACB.F07.5GS	724.701.812	unknown
3	90	ACB.F09.0GS	724.701.813	unknown
4	110	ACB.F11.0GS	724.701.814	unknown
5	125	ACB.F12.5GS	unknown	unknown
5 1/2	140	ACB.F14.0GS	unknown	unknown
6	160	ACB.F16.0GS	724.701.917	unknown
8	200	ACB.F20.0GS	724.701.919	unknown
9	225	ACB.F22.5GS	724.701.920	unknown
10	250	ACB.F25.0GS	unknown	unknown
12	315	ACB.F31.5GS	unknown	unknown

### Galvanized Steel Backing Flange with Pipe Support - Cross Reference

For use with non-metallic Metric piping (PVDF, polypropylene, etc.) IR Butt-Weld and Socket Fusion Type Flange Adapter.

Bolt holes drilled in accordance with ANSI B16.5 class 150 pattern.

Pipe Size	mm	KC Multi-Ring® Part #	George Fischer Part #	Asahi/America Part #
1/2	20	ACD.F02.0GS	unknown	unknown
3/4	25	ACD.F02.5GS	unknown	unknown
1	32	ACD.F03.2GS	unknown	unknown
1 1/4	40	ACD.F04.0GS	unknown	unknown
1 1/2	50	ACD.F05.0GS	unknown	unknown
2	63	ACD.F06.3GS	unknown	unknown
2 1/2	75	ACD.F07.5GS	unknown	unknown
3	90	ACD.F09.0GS	unknown	unknown
4	110	ACD.F11.0GS	unknown	unknown
5	125	ACD.F12.5GS	unknown	unknown
5*	140	ACD.F14.0GS	unknown	unknown
6	160	ACD.F16.0GS	unknown	unknown
8	200	ACD.F20.0GS	unknown	unknown
9	225	ACD.F22.5GS	unknown	unknown
10	250	ACD.F25.0GS	unknown	unknown

**NOTE:** Asahi/America part numbers are for glass filled polypro flange rings.

**Our backing flanges are covered under US Patent #5,716,083 and Others Pending.**

**SAMPLE SPECIFICATION**

Patented KC Multi-Ring® thermoplastic-coated AC backing rings, KC Multi-Ring Products, Inc., sole source. ANSI class 150 bolt pattern. Install with bevel facing flange adapter. Also available in stainless steel, galvanized and red oxide primed.

**Contact KC Multi-Ring Products, Inc. for sizes and materials not listed.**



### Primered Steel Backing Flange - Cross Reference

For use with non-metallic Metric piping (PVDF, polypropylene, etc.) IR Butt-Weld and Socket Fusion Type Flange Adapter.

Bolt holes drilled in accordance with ANSI B1 6.5 class 150 pattern.

Pipe Size	mm	KC Multi-Ring® Part #	George Fischer Part #	Asahi/America Part #
1/2	20	ACB.F02.0PS	unknown	unknown
3/4	25	ACB.F02.5PS	unknown	unknown
1	32	ACB.F03.2PS	unknown	unknown
1 1/4	40	ACB.F04.0PS	unknown	unknown
1 1/2	50	ACB.F05.0PS	unknown	unknown
2	63	ACB.F06.3PS	unknown	unknown
2 1/2	75	ACB.F07.5PS	unknown	unknown
3	90	ACB.F09.0PS	unknown	unknown
4	110	ACB.F11.0PS	unknown	unknown
5	125	ACB.F12.5PS	unknown	unknown
5 1/2	140	ACB.F14.0PS	unknown	unknown
6	160	ACB.F16.0PS	unknown	unknown
8	200	ACB.F20.0PS	unknown	unknown
9	225	ACB.F22.5PS	unknown	unknown
10	250	ACB.F25.0PS	unknown	unknown
12	315	ACB.F31.5PS	unknown	unknown

2

### Primered Steel Backing Flange with Pipe Support - Cross Reference

For use with non-metallic Metric piping (PVDF, polypropylene, etc.) IR Butt-Weld and Socket Fusion Type Flange Adapter.

Bolt holes drilled in accordance with ANSI B1 6.5 class 150 pattern.

Pipe Size	mm	KC Multi-Ring® Part #	George Fischer Part #	Asahi/America Part #
1/2	20	ACD.F02.0PS	unknown	unknown
3/4	25	ACD.F02.5PS	unknown	unknown
1	32	ACD.F03.2PS	unknown	unknown
1 1/4	40	ACD.F04.0PS	unknown	unknown
1 1/2	50	ACD.F05.0PS	unknown	unknown
2	63	ACD.F06.3PS	unknown	unknown
2 1/2	75	ACD.F07.5PS	unknown	unknown
3	90	ACD.F09.0PS	unknown	unknown
4	110	ACD.F11.0PS	unknown	unknown
5	125	ACD.F12.5PS	unknown	unknown
5 1/2	140	ACD.F14.0PS	unknown	unknown
6	160	ACD.F16.0PS	unknown	unknown
8	200	ACD.F20.0PS	unknown	unknown
9	225	ACD.F22.5PS	unknown	unknown
10	250	ACD.F25.0PS	unknown	unknown

**NOTE:** Asahi/America part numbers are for glass filled polypro flange rings.

**Our backing flanges are covered under US Patent #5,716,083 and Others Pending.**

**SAMPLE SPECIFICATION**

Patented KC Multi-Ring® thermoplastic-coated AC backing rings, KC Multi-Ring Products, Inc., sole source. ANSI class 150 bolt pattern. Install with bevel facing flange adapter. Also available in stainless steel, galvanized and red oxide primered.

**Contact KC Multi-Ring Products, Inc. for sizes and materials not listed.**



### **Stainless Steel Backing Flange - Cross Reference**

For use with non-metallic Metric piping (PVDF, polypropylene, etc.) IR Butt-Weld and Socket Fusion Type Flange Adapter.

Bolt holes drilled in accordance with ANSI B16.5 class 150 pattern.

Pipe Size	mm	KC Multi-Ring® Part #	George Fischer Part #	Asahi/America Part #
1/2	20	ACB.F02.0SS	unknown	unknown
3/4	25	ACB.F02.5SS	unknown	unknown
1	32	ACB.F03.2SS	unknown	unknown
1 1/4	40	ACB.F04.0SS	unknown	unknown
1 1/2	50	ACB.F05.0SS	unknown	unknown
2	63	ACB.F06.3SS	unknown	unknown
2 1/2	75	ACB.F07.5SS	unknown	unknown
3	90	ACB.F09.0SS	unknown	unknown
4	110	ACB.F11.0SS	unknown	unknown
5	125	ACB.F12.5SS	unknown	unknown
5 1/2	140	ACB.F14.0SS	unknown	unknown
6	160	ACB.F16.0SS	unknown	unknown
8	200	ACB.F20.0SS	unknown	unknown
9	225	ACB.F22.5SS	unknown	unknown
10	250	ACB.F25.0SS	unknown	unknown
12	315	ACB.F31.5SS	unknown	unknown

### **Stainless Steel Backing Flange with Pipe Support - Cross Reference**

For use with non-metallic Metric piping (PVDF, polypropylene, etc.) IR Butt-Weld and Socket Fusion Type Flange Adapter.

Bolt holes drilled in accordance with ANSI B16.5 class 150 pattern.

Pipe Size	mm	KC Multi-Ring® Part #	George Fischer Part #	Asahi/America Part #
1/2	20	ACD.F02.0SS	unknown	unknown
3/4	25	ACD.F02.5SS	unknown	unknown
1	32	ACD.F03.2SS	unknown	unknown
1 1/4	40	ACD.F04.0SS	unknown	unknown
1 1/2	50	ACD.F05.0SS	unknown	unknown
2	63	ACD.F06.3SS	unknown	unknown
2 1/2	75	ACD.F07.5SS	unknown	unknown
3	90	ACD.F09.0SS	unknown	unknown
4	110	ACD.F11.0SS	unknown	unknown
5	125	ACD.F12.5SS	unknown	unknown
5 1/2	140	ACD.F14.0SS	unknown	unknown
6	160	ACD.F16.0SS	unknown	unknown
8	200	ACD.F20.0SS	unknown	unknown
9	225	ACD.F22.5SS	unknown	unknown
10	250	ACD.F25.0SS	unknown	unknown

**NOTE:** Asahi/America part numbers are for glass filled polypro flange rings.

**Our backing flanges are covered under US Patent #5,716,083 and Others Pending.**

**SAMPLE SPECIFICATION**

Patented KC Multi-Ring® thermoplastic-coated AC backing rings, KC Multi-Ring Products, Inc., sole source. ANSI class 150 bolt pattern. Install with bevel facing flange adapter. Also available in stainless steel, galvanized and red oxide primed.

**Contact KC Multi-Ring Products, Inc. for sizes and materials not listed.**